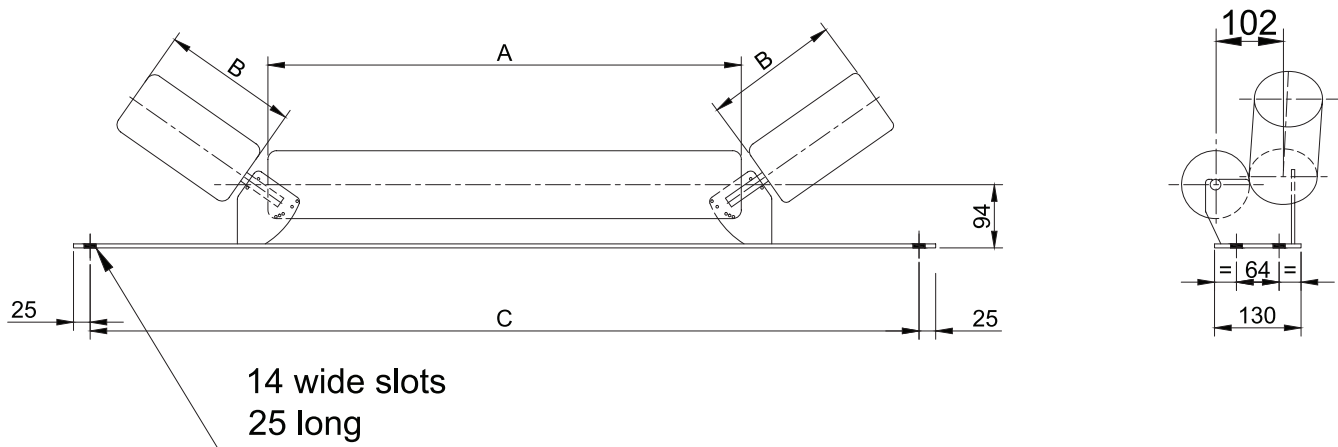


# 3 roll base plate type picking idler sets



## 3 roll base plate type picking idler sets

BELT WIDTH (mm)	A (mm)	B (mm)	C (mm)	102 dia type	127 dia baseplate type
750	457	203	584	D30BP	E30BP
800	508	203	635	D32BP	E32BP
900	610	203	737	D36BP	E36BP
1000	711	203	838	D40BP	E40BP
1050	762	203	889	D42BP	E42BP
1200	914	203	1041	D48BP	D48BP
1400	1067	203	1194	D54BP	E54BP
1500	1219	203	1346	D60BP	E60BP



**Canning Conveyor**

**Material Handling Solutions**

Sandy Lane Industrial Estate Worksop Nottinghamshire S80 1TN

Tel: 01909 486166 Fax: 01909 500638

sales@canningconveyor.co.uk [www.canningconveyor.co.uk](http://www.canningconveyor.co.uk)