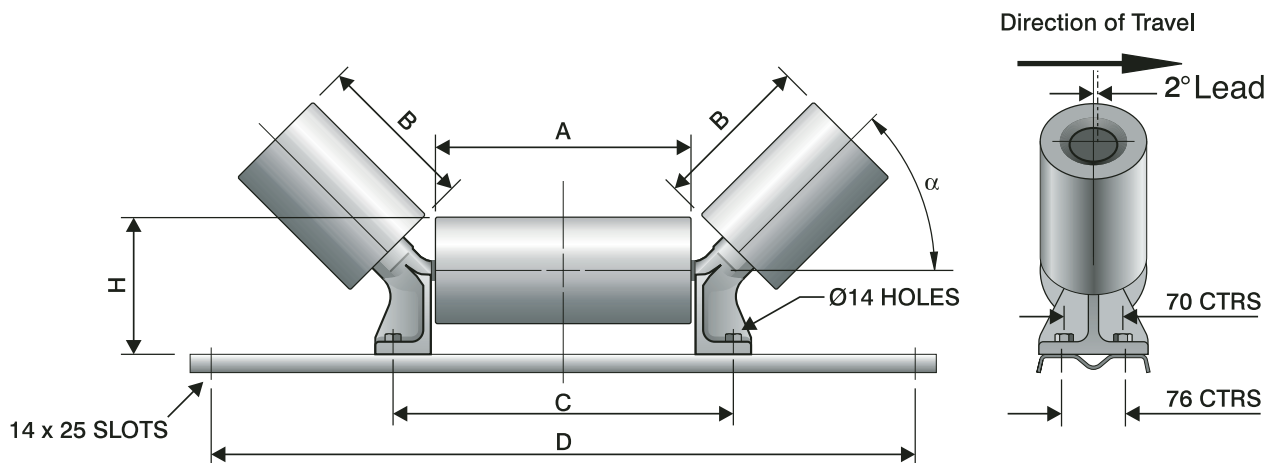


cast bracket troughing sets



102mm Dia Dimensions

Belt Width mm	A mm	B mm	C mm	D mm	H		102mm Dia Set Ref
					30° mm	45° mm	
450	203	229	305	690	130	143	DAM18
500	203	229	305	740	130	143	DAM20
600	305	229	406	840	130	143	DAM24
650	305	229	406	890	130	143	DAM26
750	381	229	483	990	130	143	DAM30
800	418	229	520	1040	130	143	DAM32
900	533	229	635	1140	130	143	DAM36

127mm Dia Dimensions

Belt Width mm	A mm	B mm	C mm	D mm	H		127mm Dia Set Ref
					30° mm	45° mm	
450	203	190	305	690	156	168	EAM18
500	229	190	330	740	156	168	EAM20
600	305	190	406	840	156	168	EAM24
650	305	216	406	890	156	168	EAM26
750	381	216	483	990	156	168	EAM30
800	432	216	534	1040	156	168	EAM32
900	533	216	635	1140	156	168	EAM36



Canning Conveyor

Material Handling Solutions

Sandy Lane Industrial Estate Worksop Nottinghamshire S80 1TN

Tel: 01909 486166 Fax: 01909 500638

sales@canningconveyor.co.uk www.canningconveyor.co.uk