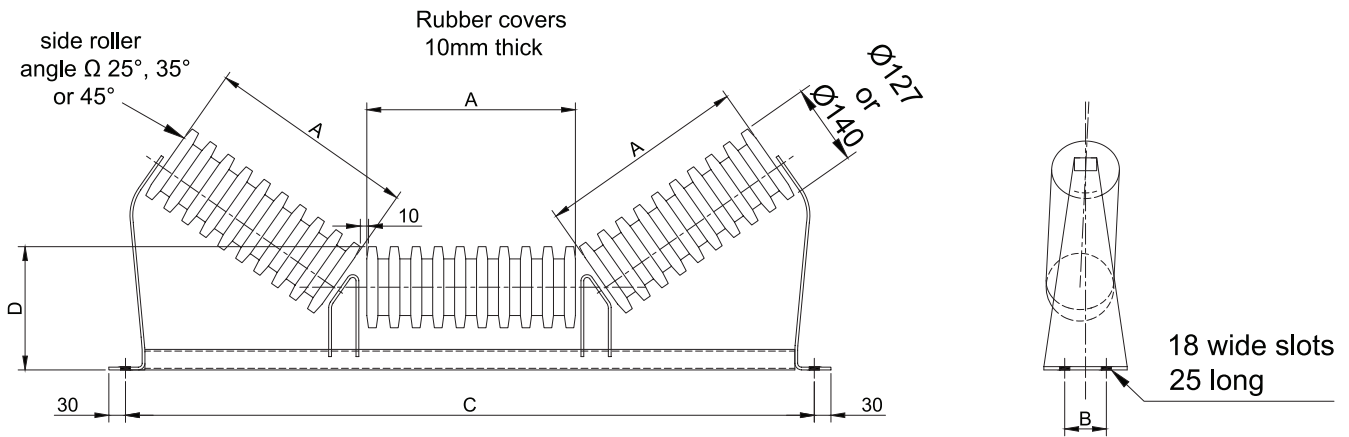


3 roll impact troughing idler sets (in-line type)



3 roll impact troughing idler sets - In line type

BELT WIDTH	A (mm)	B (mm)	C (mm)	D (mm)	140mm dia rollers (ref no)	D (mm)	127mm dia rollers (ref no)
600	240	75	840	250	MHD600	225	SHD600
650	250	75	890	250	MHD650	225	SHD650
750	295	75	990	250	MHD750	225	SHD750
800	315	75	1040	250	MHD800	225	SHD800
900	350	75	1140	250	MHD900	225	SHD900
1000	380	75	1240	250	MHD1000	225	SHD1000
1050	410	75	1300	250	MHD1050	225	SHD1050
1200	465	100	1450	265	MHD1200	240	SHD1200
1350	530	100	1600	265	MHD1350-S	240	SHD1350
1400	530	100	1650	265	MHD1400-S	240	SHD1400
1500	575	100	1800	265	MHD1500-S	240	SHD1500
1600	600	100	1900	265	MHD1600-S	240	SHD1600



Canning Conveyor

Material Handling Solutions

Sandy Lane Industrial Estate Worksop Nottinghamshire S80 1TN

Tel: 01909 486166 Fax: 01909 500638

sales@canningconveyor.co.uk www.canningconveyor.co.uk