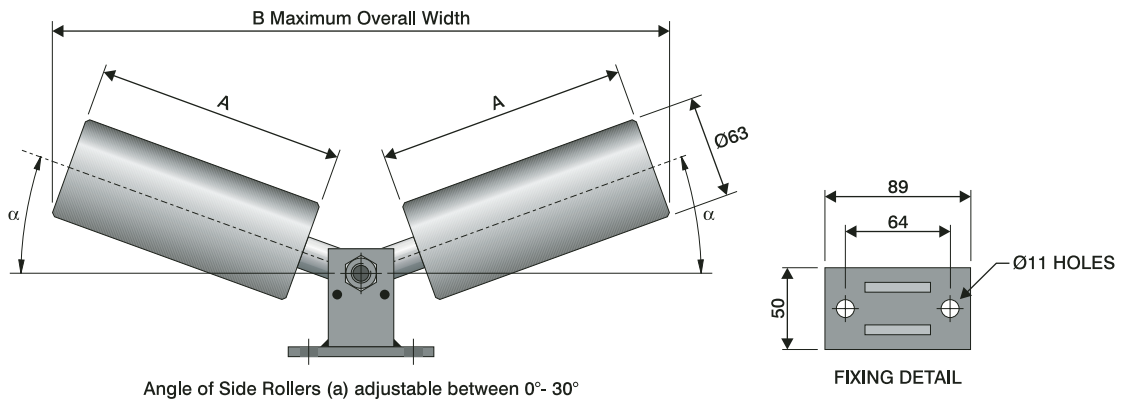


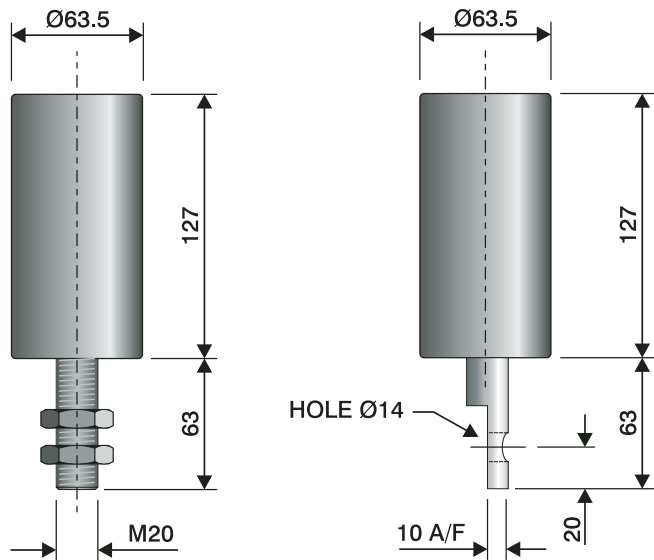
# two roll troughing sets, belt guide rollers and brackets

## Two Roll Troughing Sets



Belt Width	A	B	Ref
mm	mm	mm	
250	127	311	C2R10
300	152	362	C2R12
350	178	413	C2R14
400	203	464	C2R16

## Belt Guide Rollers

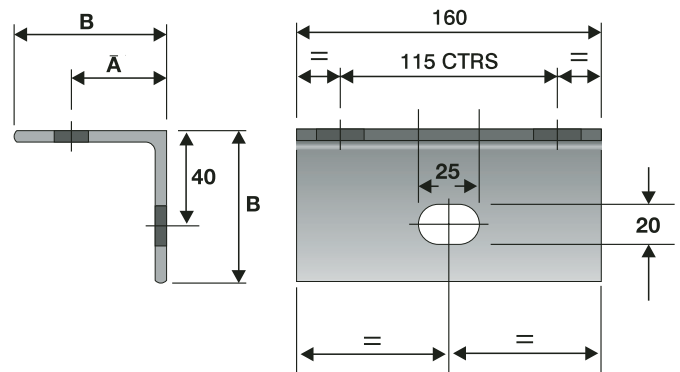


Threaded Shaft  
ref CGR1

Milled Shaft  
ref CGR2

## Brackets for Idlers

Milled Shafts



Belt Width	A	B	TYPE
mm	mm	mm	
400 UP TO 600	64	90	N1
750 UP TO 1600	40	70	N2



**Canning Conveyor**  
Material Handling Solutions

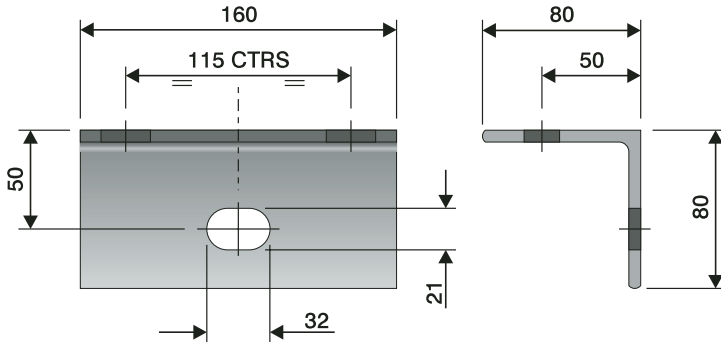
Sandy Lane Industrial Estate Worksop Nottinghamshire S80 1TN

Tel: 01909 486166 Fax: 01909 500638 sales@canningconveyor.co.uk [www.canningconveyor.co.uk](http://www.canningconveyor.co.uk)

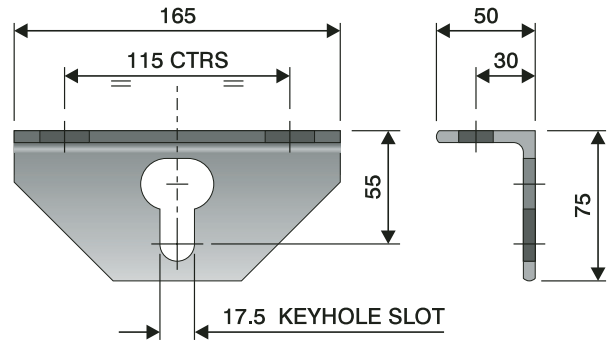
# two roll troughing sets, belt guide rollers and brackets

## Brackets for Idlers

Threaded Shafts



Milled Shafts



**Canning Conveyor**  
**Material Handling Solutions**

Sandy Lane Industrial Estate Worksop Nottinghamshire S80 1TN

Tel: 01909 486166 Fax: 01909 500638 [sales@canningconveyor.co.uk](mailto:sales@canningconveyor.co.uk) [www.canningconveyor.co.uk](http://www.canningconveyor.co.uk)