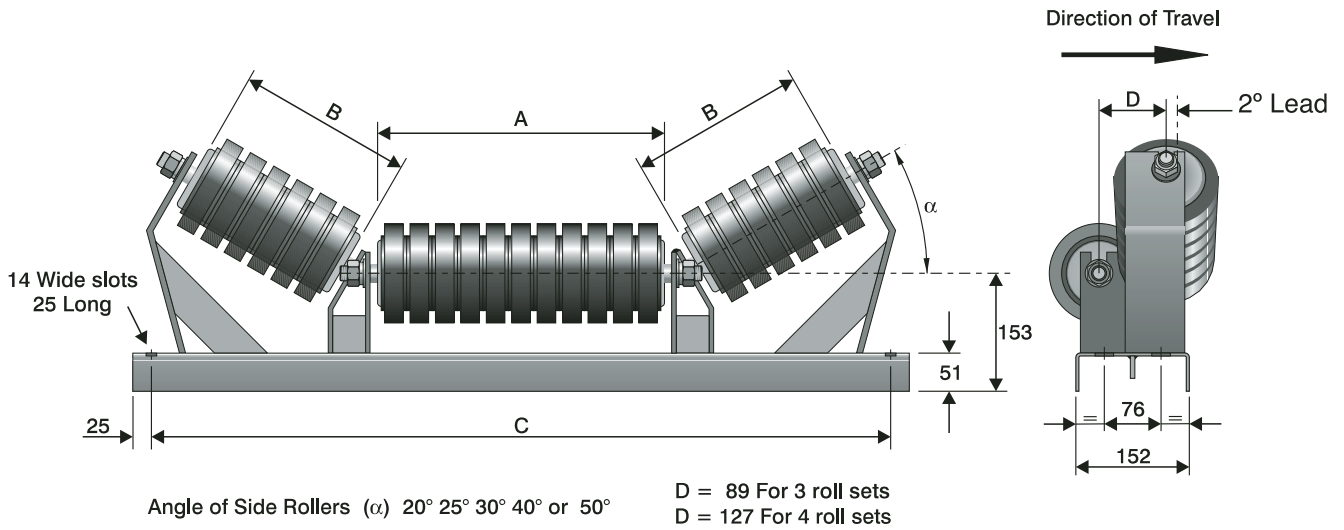


impact troughing sets



Belt Width	A	B	C	133mm Dia Ref
mm	mm			
600	235	235	838	IMP24
650	311	235	889	IMP26
750	384	235	991	IMP30
800	460	235	1041	IMP32
900	533	235	1143	IMP36

Below are references for 4 roll sets

1000	311	311	1295	IMP42
1050	311	311	1295	IMP42
1200	384	311	1448	IMP48
1400	384	384	1600	IMP54
1500	460	384	1753	IMP60



Canning Conveyor

Material Handling Solutions

Sandy Lane Industrial Estate Worksop Nottinghamshire S80 1TN

Tel: 01909 486166 Fax: 01909 500638

sales@canningconveyor.co.uk www.canningconveyor.co.uk