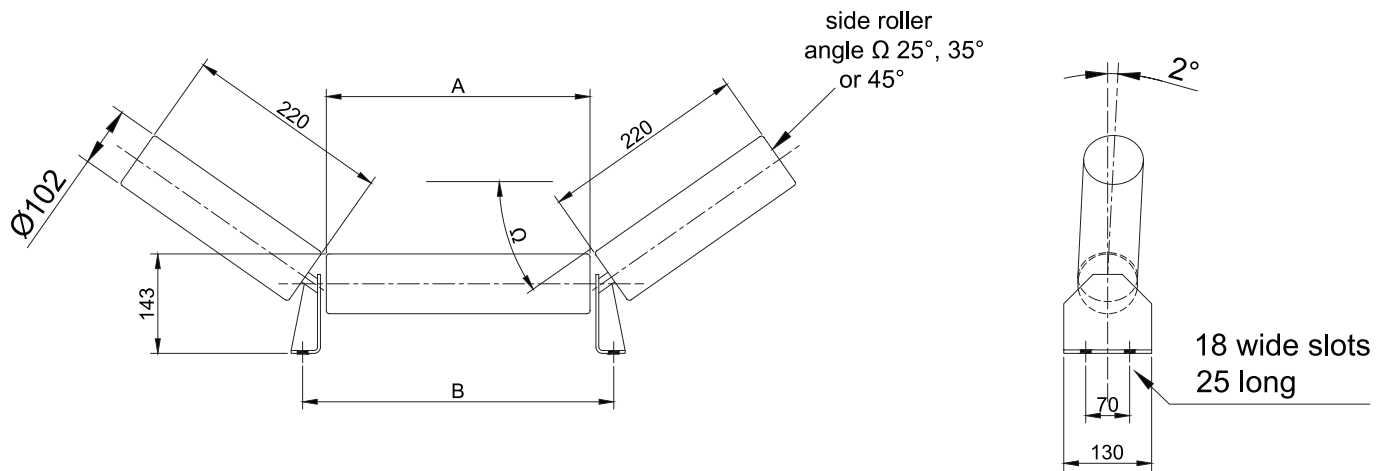


Intertrough type idler sets



Ref No.	Belt Width (mm)	A (mm)	B (mm)
IT600	600	305	406
IT650	650	305	406
IT750	750	406	506
IT800	800	379	480
IT900	900	529	630
IT1000	1000	639	740



Canning Conveyor

Material Handling Solutions

Sandy Lane Industrial Estate Worksop Nottinghamshire S80 1TN

Tel: 01909 486166 Fax: 01909 500638

sales@canningconveyor.co.uk www.canningconveyor.co.uk